

BILL OF MATERIAL			
*QTY	P/N	DESCRIPTION	DWG. NO.
20' SECTION ASS'Y NO. HL20FT			
1	HL162A	LADDER 20' HVY 1.44' 12"OC	SK711239
2	KY96	BAR FLAT .25X2.50X3.50"	SK711239
8	KH91	SADDLE CLAMP NO. 25 WINCH HDG	B770214
4	210018GA	BOLT ASSY 1/2X1-1/2 A325 HDG	N/A
16	J51A	J-BOLT ASSY 3/8 X 5-3/8 HDG	B29-47
10' SECTION ASS'Y NO. HL10FT			
1	HL161A	LADDER 10' HVY 1.44' 12" OC	SK711239
2	KY96	BAR FLAT .25X2.50X3.50"	SK711239
4	KH91	SADDLE CLAMP NO. 25 WINCH HDG	B770214
4	210018GA	BOLT ASSY 1/2X1-1/2 A325 HDG	N/A
8	J51A	J-BOLT ASSY 3/8 X 5-3/8 HDG	B29-47

- NOTES :
- LADDER CAN BE MOUNTED INSIDE OR OUTSIDE OF TOWER AS REQUIRED.
 - QUANTITIES LISTED ARE FOR ONE LADDER SECTION ONLY.
 - SPACE CLAMPS & CLIPS AS SHOWN.

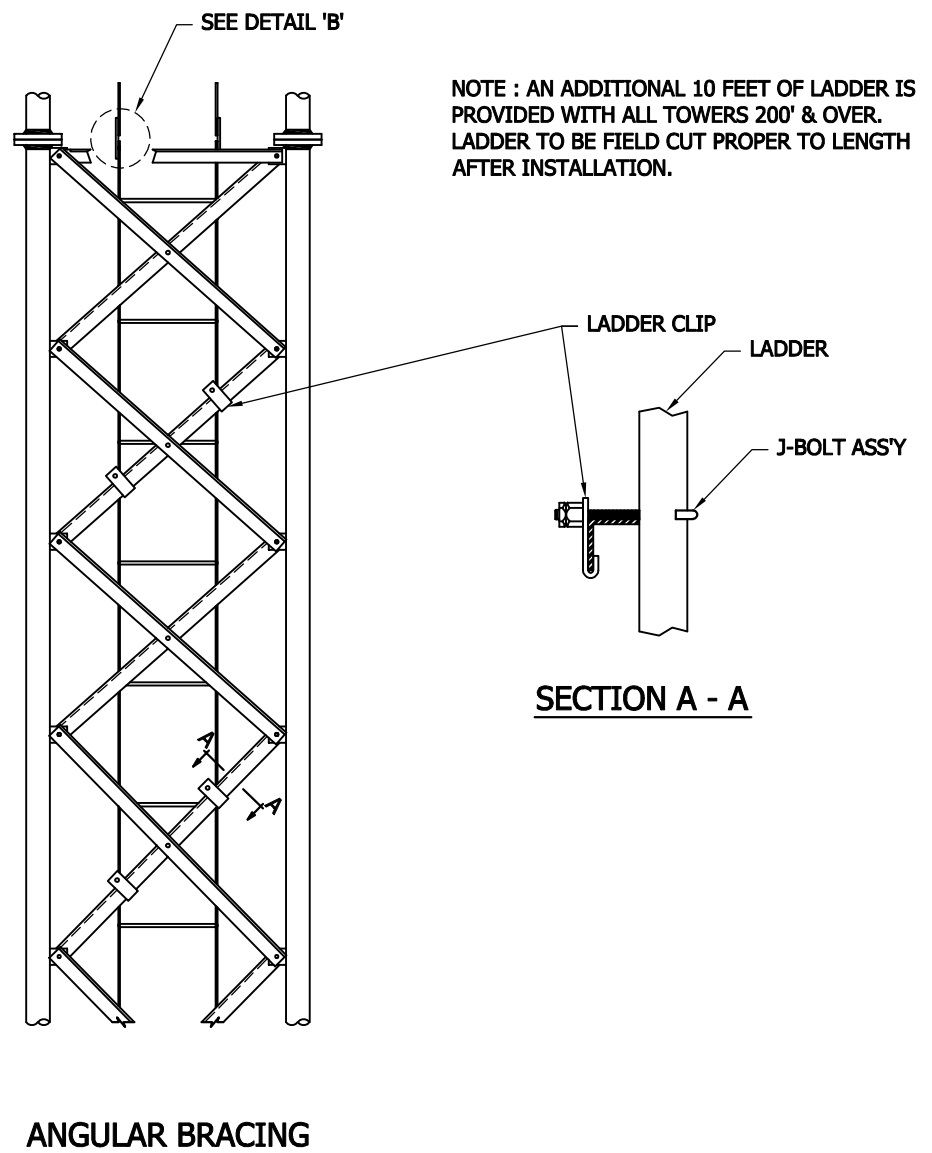
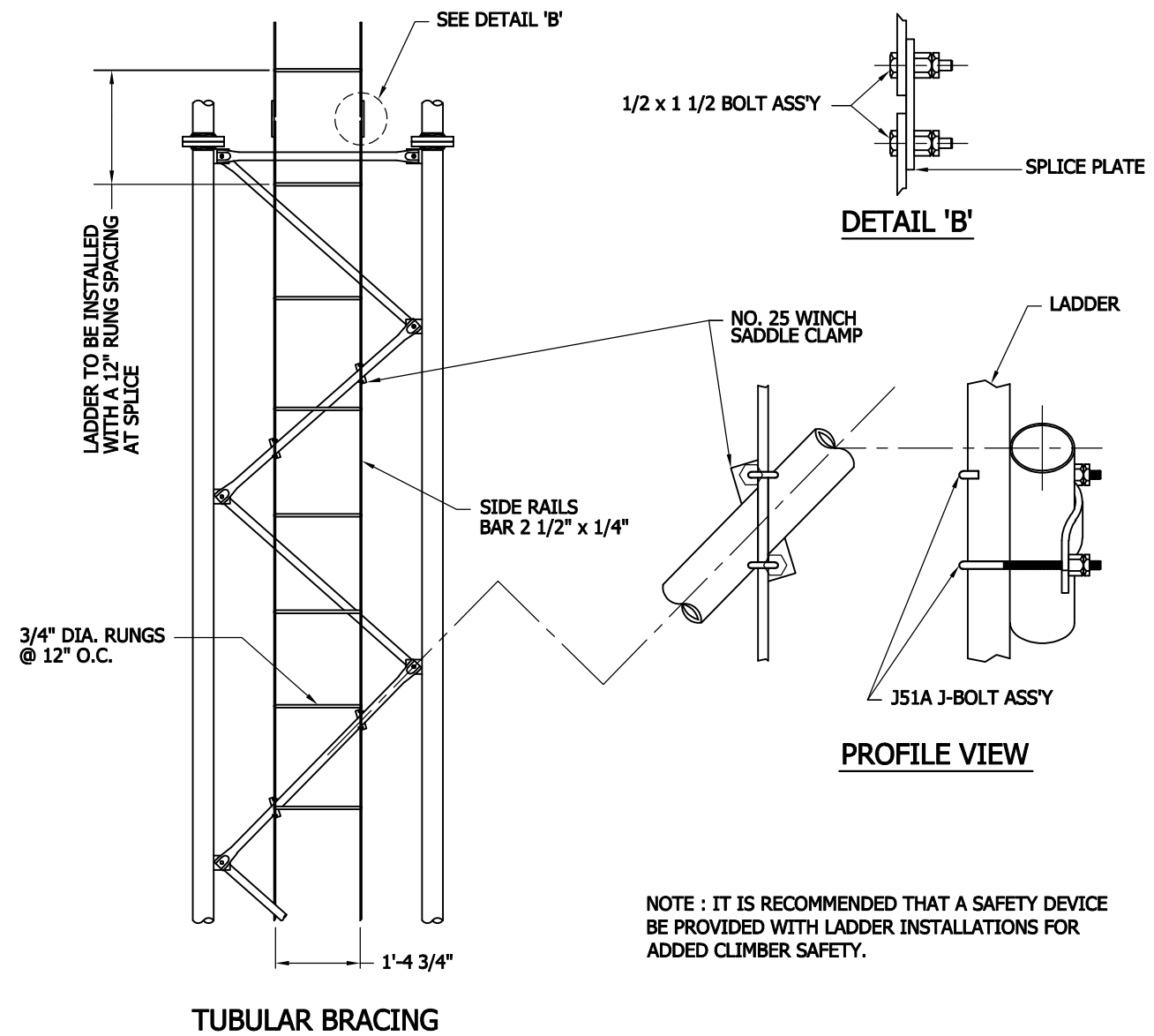
ANGULAR BRACING MOUNTING CHART					
CLIP ASS'Y P/N**	BRACE SIZE	LADDER CLIP (2 REQD)		LADDER CLIP (2 REQD)	
		P/N	DWG. NO.	P/N	DWG. NO.
KY695	∠1 1/2"	H184	B991808	J51A	B29 47
KY695	∠1 3/4"	H184	B991808	J51A	B29 47
KY695	∠2"	H184	B991808	J51A	B29 47
KY1287A	∠2 1/2"	H184	B991808	J170A	A991694
KY1287A	∠3"	H184	B991808	J170A	A991694
KY1287A	∠3 1/2"	H184	B991808	J170A	A991694
KY1287A	∠4"	H184	B991808	J170A	A991694
KY2228A	∠5"	H184	B991808	J164A	B860367

** (2) REQUIRED FOR 10' SECTIONS A FOR 20' 2 BAY SECTION
 ** (4) REQUIRED FOR ALL OTHER 20' SECTIONS

BILL OF MATERIAL			
*QTY	P/N	DESCRIPTION	DWG. NO.
20' SECTION ASS'Y NO. HL20FA			
1	HL162A	LADDER 20' HVY 1.44' 12"OC	SK711239
2	KY96	BAR FLAT .25X2.50X3.50"	SK711239
8	SEE CHART	LADDER CLIP	SEE CHART
4	210018GA	BOLT ASSY 1/2X1-1/2 A325 HDG	N/A
8	SEE CHART	J-BOLT ASSY	SEE CHART
10' SECTION ASS'Y NO. HL10FA			
1	HL161A	LADDER 10' HVY 1.44' 12" OC	SK711239
2	KY96	BAR FLAT .25X2.50X3.50"	SK711239
4	SEE CHART	LADDER CLIP	SEE CHART
4	210018GA	BOLT ASSY 1/2X1-1/2 A325 HDG	N/A
4	SEE CHART	J-BOLT ASSY	SEE CHART

FILE NO.

REVISIONS				
REV.	DESCRIPTION	DWN	CHK	APP
14	UPDATE TO NEW STANDARDS AND REVISED NOTES DATE: 07/17/2014	ZAW	MDF	DWG



NOTE : IT IS RECOMMENDED THAT A SAFETY DEVICE BE PROVIDED WITH LADDER INSTALLATIONS FOR ADDED CLIMBER SAFETY.



PO BOX 5999
 PEORIA, IL 61601-5999
 TOLL FREE 800-727-ROHN

THIS DRAWING IS THE PROPERTY OF ROHN. IT IS NOT TO BE REPRODUCED, COPIED OR TRACED IN WHOLE OR IN PART WITHOUT OUR WRITTEN CONSENT.

FACE MOUNTED HEAVY LADDER ASSY FOR GUYED & SSV TOWERS

DWN: RJJ	CHK'D: WDU	DATE: 12/05/1974
ENGR: CW	SHEET #: 1 OF 1	
PRJ. ENGR:	PRJ. MANG'R:	

DRAWING NO: C730607	REV: 14
---------------------	---------